

kreon



DESIGNED TO PERFORM

IN RESIDENTIAL - HOSPITALITY - RETAIL - OFFICE SPACES

kreon project downlight 2"

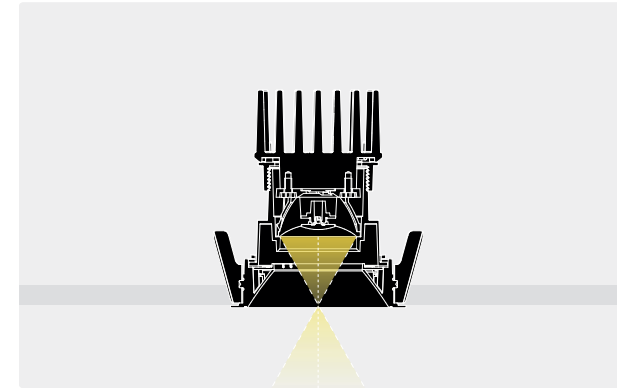
project downlight 2"

Explore the kreon project downlight 2" collection and discover how it brings refined lighting to your architecture.

kreon



project downlight 2"



BEAM ANGLE		UGR
narrow spot	12°	<12
spot	18°	<12
narrow flood	26°	<12
medium flood	38°	<12
wide flood	51°	<19

COLOURS

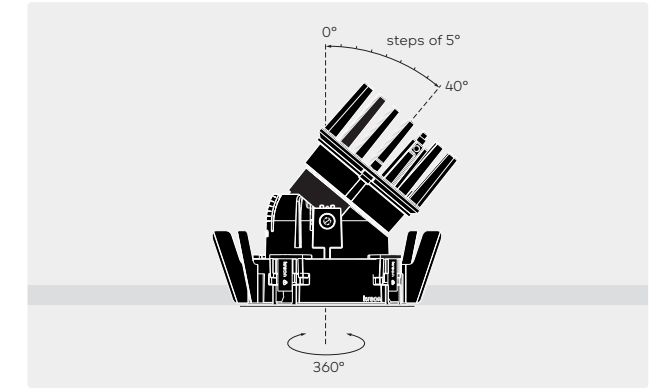
painted	
white	
black	
brushed plated	
silver	
gold	
bronze	
gun black	

MINIMALIST FINISHES

minimalist trims to suit the architecture
 trim and trimless options (plasterkit included)

MODULAR ACCESSORIES

lenses	asymmetric lens
	diffusing lens
	linear spread lens
	honeycomb
protection	IP cover



precise beam placement	adjustable 360° rotation
	40° tilt in steps of 5°
IP	20/44
	55

	visual comfort	low glare optics with refined cut-off
	CCT	2400K, 2700K, 3000K, 3500K, 4000K
	dim-to-warm tunable white	1800K - 2700K 2700K - 5000K
	CRI 97	high CRI LED engines for accurate colour rendering
	lumen output	> 1000 lm
	efficacy	> 100 lm/W
	good value	

kreon project downlight 2"

SHAPE



round

FINISH



trim



trimless

SIZE



Ø2" 3/8

FUNCTION



fixed



directional

CCT



2400K



2700K



3000K



3500K



4000K



dim-to-warm
(1800K-2700K)



tunable white
(2700K-5000K)

OPTIC



narrow spot



spot



narrow flood



medium flood



wide flood

ACCS.



asymmetric lens



diffusing lens



linear spread lens



honeycomb

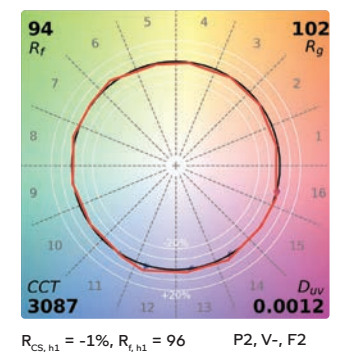
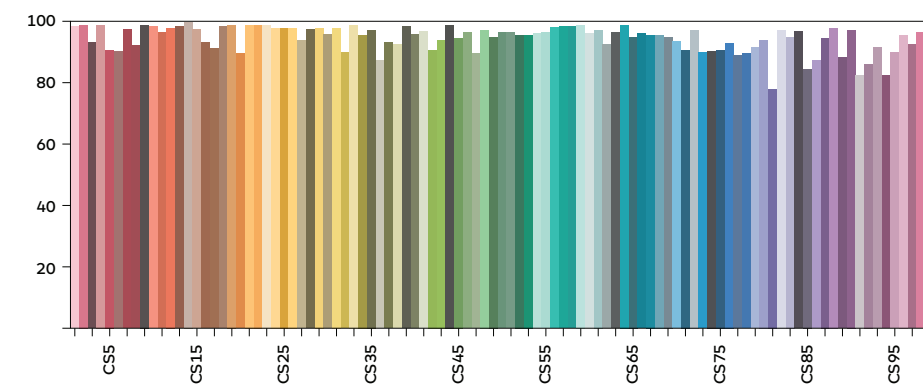




PROJECT DOWNLIGHT 2"

LIGHT VALUES @ 3000K

beam	narrow spot	spot	narrow flood	medium flood	wide flood
beam angle value (FWHM)	12°	18°	26°	38°	51°
voltage	18V	18V	18V	18V	18V
drive current	600mA	600mA	600mA	600mA	600mA
power	10,8W	10,8W	10,8W	10,8W	10,8W
initial source lumens	940	1290	1290	1290	1290
luminaire lumens	555	993	1072	1057	1051
source lm/W	87	119	119	119	119
luminaire lm/W	51	97	104	103	102
CRI (typ.)	97	97	97	97	97
R9 (typ.)	88	88	88	88	88
TM-30 R _f	94	94	94	94	94
TM-30 R _g	102	102	102	102	102
binning (SDCM)	2-step	2-step	2-step	2-step	2-step
polar curve					





type	aperture	light module	output/wattage	beam angle/delivered lm @ 3000K	CRI	CCT	finish	mounting options	dimming	options
KU										
PD flanged installation in wood, sheetrock, plaster or ACT ceiling	SQ square RND round	DR directional, adjustable (40°) FX fixed downlight WW wall wash	SO standard 10.8W@600mA	NSP narrow spot 12° 555lm SP spot 18° 993lm NFL narrow flood 26° 1072lm FL flood 38° 1057lm WFL wide flood 51° 1051lm WW wall wash optic 807lm	90 90+ (min.)	27 2700K 30 3000K 35 3500K WD dim-to-warm 1800K-2700K TW tunable white 2700K-5000K	WH white BK black	PN non-IC fixture tray/pan IC IC rated backbox AIC airtight IC rated SH IC rated shallow backbox (IC and airtight rated) USH IC rated ultra shallow backbox (4" high backbox) RM remote (no backbox, LV wiring in whip to driver box)	D1 phase dim (2%), 120VAC only, on/off 120/277VAC D1-277 phase dim (2%), 277VAC only, (not for HO output) D2 0-10V dimming (1%), 120-277VAC D3-3 Lutron hi-lume dim to 1% for 3-wire 120-277VAC	44 IP44 splash resistant clear lens 44F IP44 splash resistant frosted lens 65 IP65 water proof clear lens SF softening filter DF diffusing filter SC sculptural filter AG anti-glare louvre
ORDERING EXAMPLE: KUPD - RND - DR - SO - SP - 90 - 30 - WH - PN - D2 - SF										



kreon

kreon North America
20 Murray Hill Parkway
Suite #180
East Rutherford NJ 07073
United States of America
+1 (201) 298-44 48
usa@kreon.com

kreon.com

facebook kreon.lighting

Instagram @kreon_lighting

Linkedin kreon